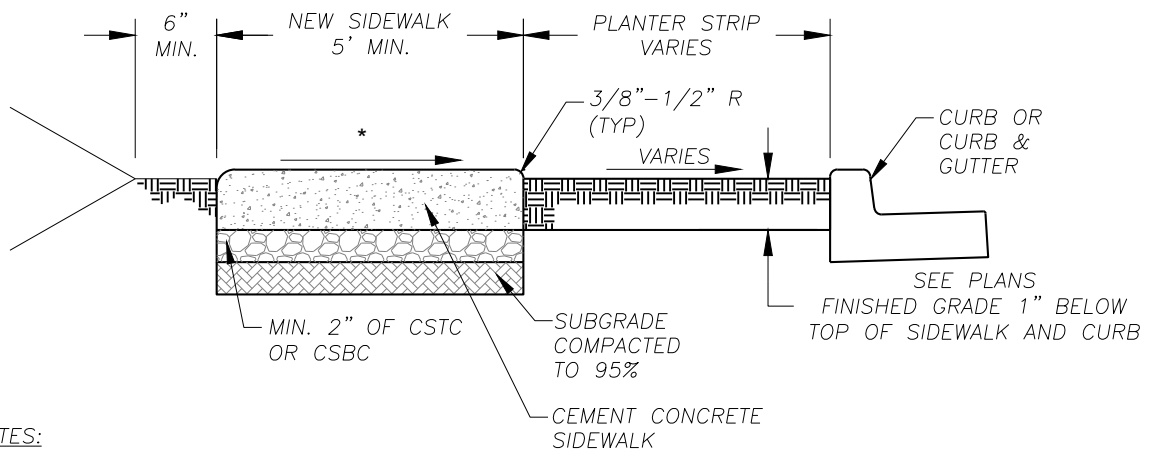
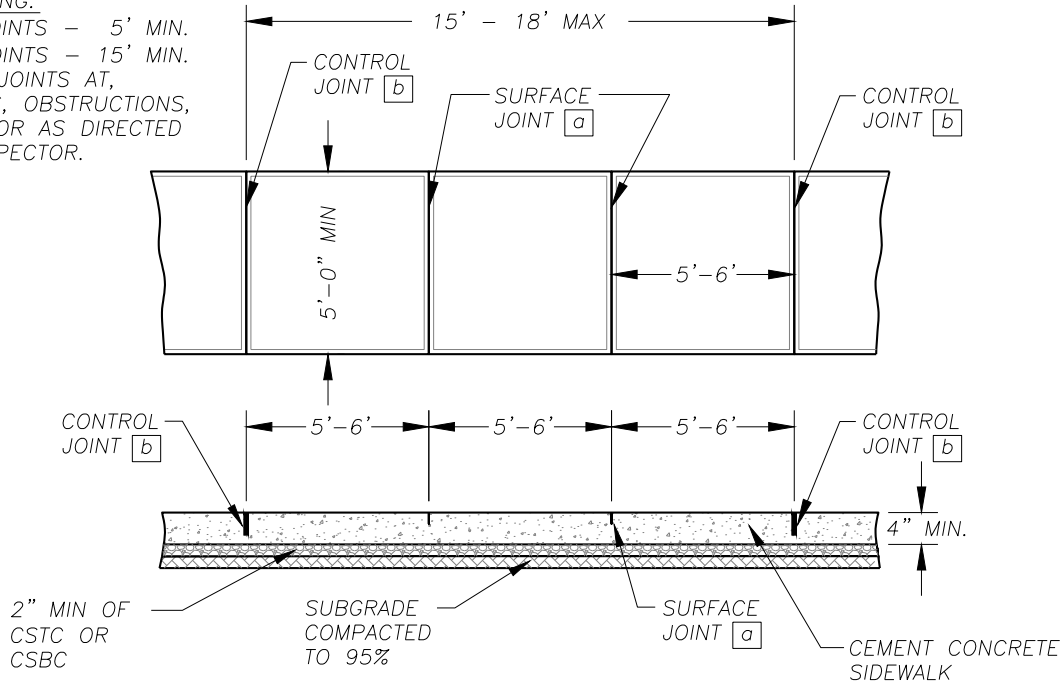


JOINT SPACING:
 SURFACE JOINTS - 5' MIN.
 CONTROL JOINTS - 15' MIN.
 EXPANSION JOINTS AT,
 STRUCTURES, OBSTRUCTIONS,
 DRIVEWAYS OR AS DIRECTED
 BY THE INSPECTOR.



NOTES:

1. CONCRETE SHALL BE CLASS 3000 MIN.
2. FINISH SHALL BE MEDIUM BROOM PERPENDICULAR TO PEDESTRIAN TRAFFIC UNLESS OTHERWISE DIRECTED.
3. 3" MIN WIDE SMOOTH FINISH BORDER AROUND EACH SIDEWALK PANEL.
4. THE SUBGRADE AND CRUSHED SURFACING MATERIALS SHALL BE COMPACTED TO 95% OF MAX. DRY DENSITY.
5. SEE STD. DETAIL F31 FOR CONCRETE JOINTS.
6. OBSTRUCTIONS (IE UTILITY POLES, SIGN SUPPORTS, TREES, FIRE HYDRANTS, MAILBOXES, ETC.) SHALL NOT REDUCE SIDEWALK WIDTH AND MINIMUM PEDESTRIAN ACCESSIBLE ROUTE TO LESS THAN 4 FEET.
7. GRATINGS, ACCESS COVERS, JUNCTION BOXES, CABLE VAULTS, PULL BOXES, AND OTHER APPURTENANCES WITHIN THE SIDEWALK MUST HAVE SLIP RESISTANCE SURFACE, BE FLUSH WITH THE SURFACE, AND MATCH GRADE OF THE SIDEWALK.

NO.	REVISIONS	DATE	BY
1	REVISE GRADES	5-1-17	BK

DWG: F12.DWG



Department of
 Public Works
CLARK COUNTY
 WASHINGTON
 proud past, promising future

CEMENT CONCRETE SIDEWALK DETAIL

[Signature]
 APPROVED
 COUNTY ENGINEER

01/26/16
 DATE

STANDARD
F12
 DETAIL
 DESIGNED
 DRAWN
 DATE 01/26/16