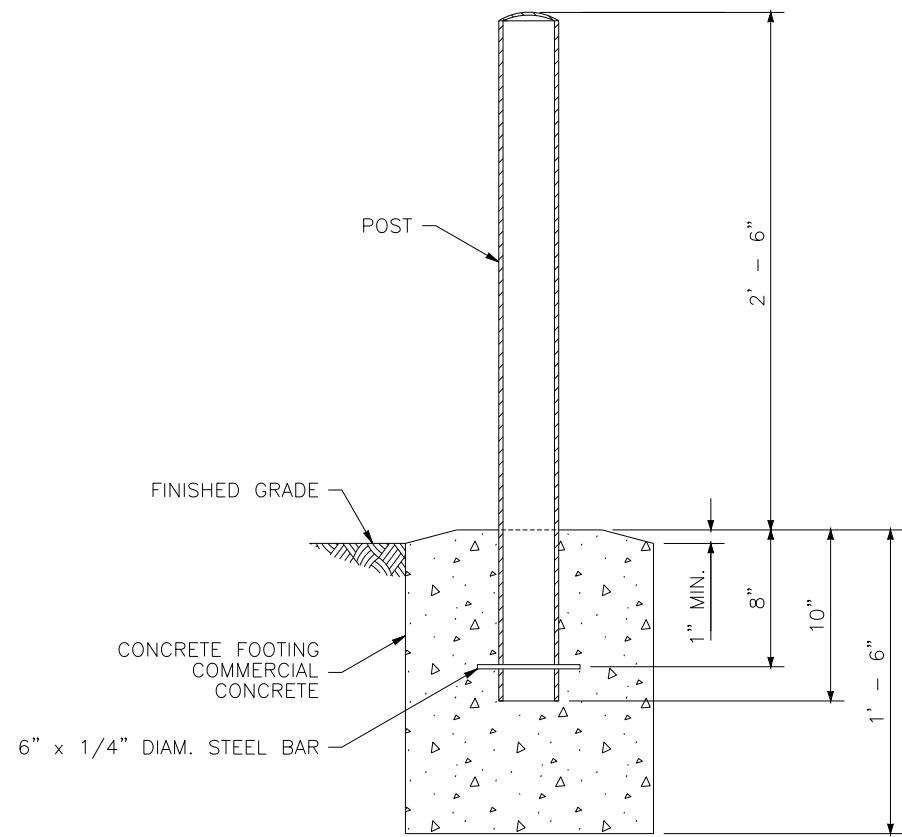
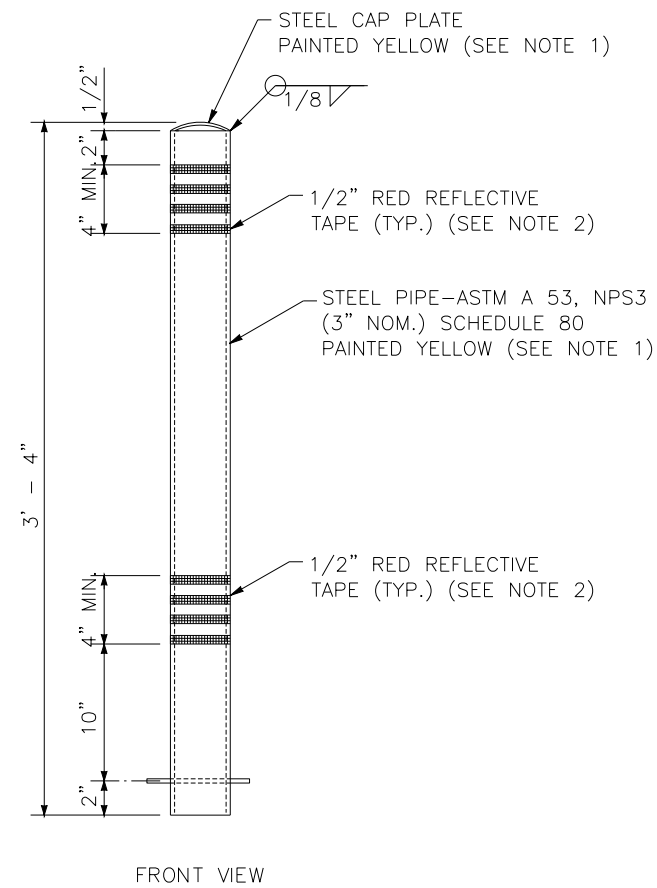


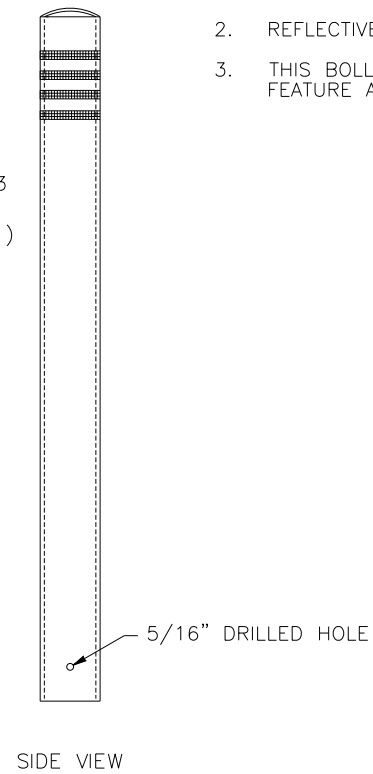
BOLLARDS (SHEET 2 OF 3)
BOLLARD TYPE 2 - FIXED



SECTION A-A



FRONT VIEW

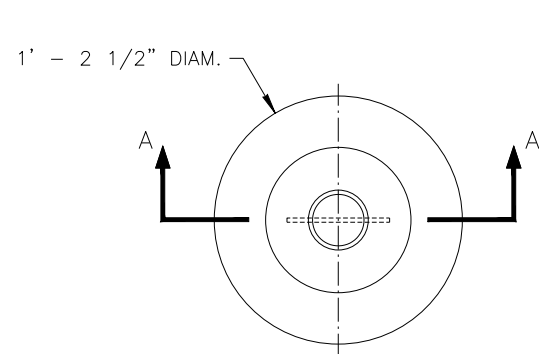


SIDE VIEW

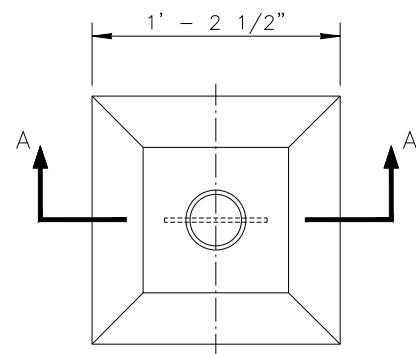
POST

NOTES:

1. PAINT ASSEMBLY WITH TRAFFIC SIGNAL YELLOW (TO MATCH FEDERAL STANDARD 595, COLOR No. 33538).
2. REFLECTIVE TAPE SHALL BE HIGH INTENSITY (TYPE IV).
3. THIS BOLLARD DOES NOT HAVE AN EFFECTIVE BREAKAWAY DESIGN FEATURE AND CANNOT BE INSTALLED WITHIN THE DESIGN CLEAR ZONE.



ROUND FOOTING



SQUARE FOOTING


PLAN VIEW

REV. NO.	DATE	BY	APPR

DWG:



Department of
 Public Works
CLARK COUNTY
 WASHINGTON
 proud past, promising future

BOLLARDS SHEET 2 OF 3 APPROVED		STANDARD T10.1 DETAIL
COUNTY ENGINEER 	07/17/19 DATE	DESIGNED DRAWN DATE