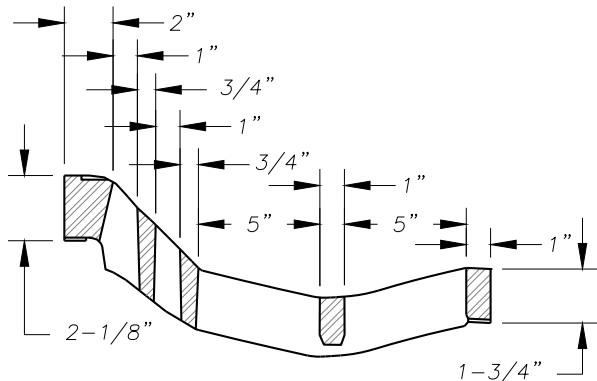
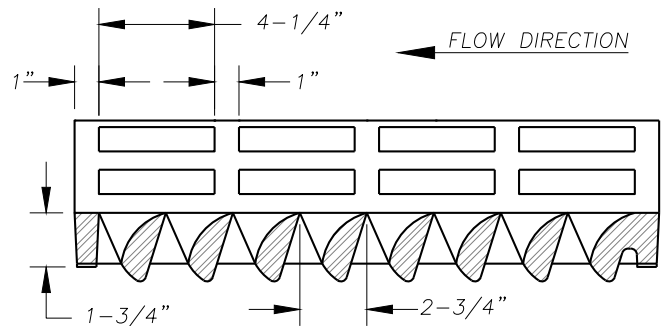


PLAN



SECTION A-A



SECTION B-B

NOTES:

1. WELDING NOT PERMITTED.
2. USE ROLLED CURB VANE GRATE WHERE LONGITUDINAL SLOPE IS GREATER THAN 4%.
3. MATERIAL IS CAST IRON ASTM A48 CLASS 30.
4. SEE WSDOT STANDARD SPECIFICATIONS SECTION 7-05.

NO.	REVISIONS	DATE	BY

DWG: D4.7.DWG



Department of
Public Works
CLARK COUNTY
WASHINGTON
proud past, promising future

ROLLED CURB
VANED GRATE
[Signature]
APPROVED
01/07/16
DATE

STANDARD
D4.7
DETAIL
DESIGNED
DRAWN
DATE 01/30/15