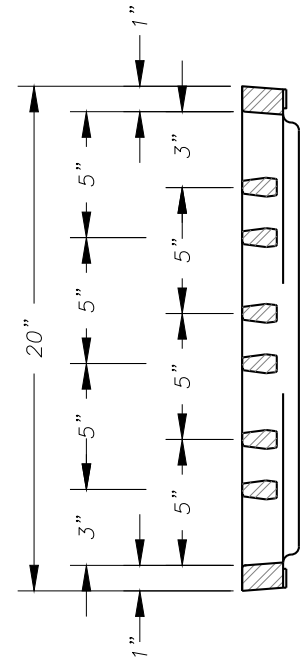
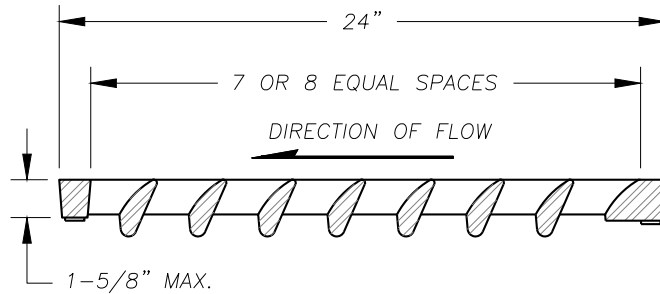


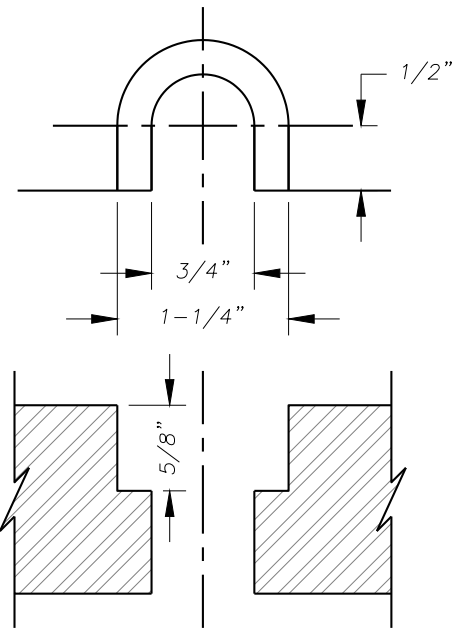
PLAN VIEW



SECTION A



SECTION B



SLOT DETAIL

NOTES:

1. WELDING NOT PERMITTED.
2. USE HERRINGBONE GRATE PER STD. DETAIL D4.3 WHERE LONGITUDINAL SLOPE IS LESS THAN 4%.
3. WHEN BOLT DOWN GRATES ARE SPECIFIED, PROVIDE TWO SLOTS IN THE GRATE THAT ARE VERTICALLY ALIGNED WITH THE HOLES IN THE FRAME. LOCATION OF BOLT DOWN SLOTS VARIES AMONG DIFFERENT MANUFACTURERS.
4. REFER TO WSDOT STANDARD SPECIFICATIONS 9-05.15(2) FOR ADDITIONAL REQUIREMENTS.
5. FOR FRAME DETAIL, SEE STD. DETAIL D4.2.

NO.	REVISIONS	DATE	BY

DWG: D4.4.DWG



Department of
Public Works
CLARK COUNTY
WASHINGTON
proud past, promising future

VANED GRATE
FOR CATCH BASIN
APPROVED
[Signature]
COUNTY ENGINEER

01/07/16
DATE

STANDARD
D4.4
DETAIL
DESIGNED
DRAWN
DATE 01/30/15