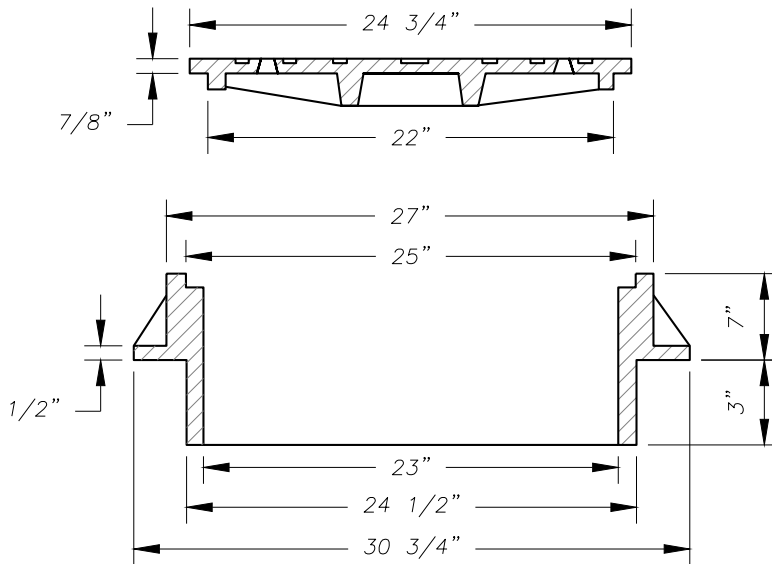


COVER



NOTES:

1. COVER MATERIAL TO BE DUCTILE IRON ASTM A536 GRADE 80-55-06.
2. RING MATERIAL TO BE GRAY CAST IRON ASTM A-48 CLASS 30.
3. SEE WSDOT STANDARD SPECIFICATIONS SEC. 7-05.
4. RING AND COVER TO BE MACHINED TO A TRUE BEARING ALL AROUND.
5. NOTCH LID FOR LIFTING HOOK.

NO.	REVISIONS	DATE	BY

DWG: D1.6.DWG



Department of
Public Works
CLARK COUNTY
WASHINGTON
proud past, promising future

MANHOLE
RING AND COVER
[Signature]
APPROVED
01/07/16
DATE
COUNTY ENGINEER

STANDARD
D1.6
DETAIL
DESIGNED
DRAWN
DATE 01/30/15