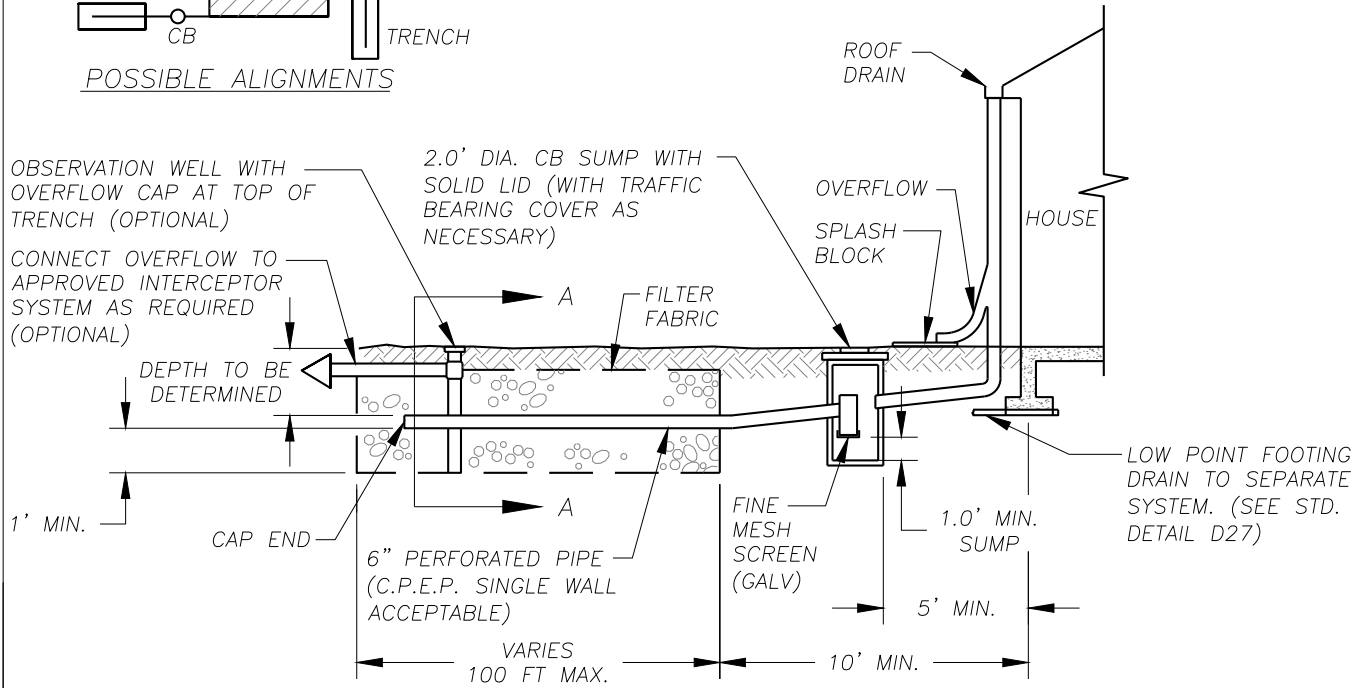
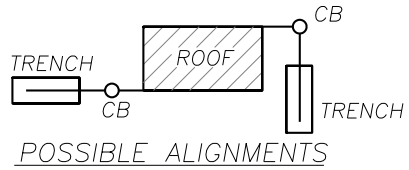


NOTE:

1. TRENCH TO BE LOCATED 100' MIN. FROM SEPTIC DRAINFIELD (WHERE APPLICABLE).
2. PER CCSWM BMP T5.10B.
3. TRENCH TO BE LOCATED 10' MIN. FROM ANY PROPERTY LINE.
4. TRENCH TO BE LOCATED 10' MIN. FROM BUILDING FOUNDATION.



NO.	REVISIONS	DATE	BY

DWG: D16.0.DWG



Department of Public Works
CLARK COUNTY WASHINGTON
 proud past, promising future

TYPICAL DOWNSPOUT INFILTRATION SYSTEM
 INFILTRATION TRENCH (SINGLE-FAMILY HOME)

[Signature]
 APPROVED
 COUNTY ENGINEER

STANDARD
D16.0
 DETAIL
 DESIGNED
 DRAWN
 DATE 01/30/15

01/07/16
 DATE